

TWO-WAY MARINE VHF HANDHELD RADIOTELEPHONE

Model **FM-8**

- Compact, lightweight handheld radiotelephone offering high-quality, two-way communications
- Complies with GMDSS carriage requirements for Life-saving appliances (Regulation 6 of Chapter III, SOLAS)
- Watertight - Stands immersion in water one meter deep for 5 minutes as required by IMO Resolution
- Eight channels provided as standard; plus six channels optional (use of channels subject to authorization)
- Channel selection by the rotary control. Selected channels backlit
- Channel busy and transmission indicators provided. Busy lamp also works as battery monitor
- Also used as an on-board communicator



The FM-8 is FURUNO's quality VHF handheld radiotelephone complying with GMDSS carriage requirements for on-scene two-way communications. It can be also used as an on-board communicator.

According to GMDSS carriage requirements, vessels engaged in international voyages must install at least three sets (all passenger ships and on cargo vessels of 500 GT and upward), or at least two sets (cargo vessels below 500 GT but 300 GT and upward).

Eight channels are provided as standard: CH16, H6, CH11, CH12, CH13, CH15, CH17 and CH67.

Six extra channels are optionally available depending on requirements and subject to authorization. Operating channel number is backlit for easy readout. All controls are arranged on the top panel and overall operation is user-friendly.

The FM-8 is impervious to water pressure down to one-meter depth. This means that it can be operated under the severe conditions experienced in survival craft were the radio may be exposed to heavy water splash.

The FM-8, with fully charged Ni-Cd battery pack, provides continuous operation for nominal eight hours at specified duty cycle. Spare battery pack is available as an option.

The flexible antenna is permanently fixed on the transceiver top to eliminate the risk of loss.

SPECIFICATIONS OF FM-8

GENERAL

1. **Frequency Range**
156.300 to 156.875 MHz
2. **Number of Channels**
14 channels max. (8 channels standard: CH16, CH6, CH11, CH12, CH13, CH15, CH17 and CH67)
3. **Frequency Stability**
10 ppm
4. **Communication System**
Simplex
5. **Class of Emission**
Frequency modulation with a pre-emphasis of 6 dB/octave (phase modulation)
6. **Antenna**
1/4-wavelength helical whip, permanently fixed on the transceiver
7. **Power Supply**
7.2 VDC Ni-Cd battery pack
600 mA (TX), 30 mA (ST-BY)
8. **Battery Life**
8 hours (duty cycle TX:RX:ST-BY=1:1:8)
9. **Ambient Condition**
Temperature: -20 °C to + 55 °C (operation)
-30 °C to + 65 °C (storage)
Humidity: 93 % at + 40 °C
10. **Watertightness**
One meter depth in water for 5 minutes

TRANSMITTER

1. **RF Output Power**
0.8 W
2. **Frequency Deviation**
±5 kHz
3. **Modulation AF Response**
Modulation index within +1 or -3 dB for modulation frequency 300 to 3000 Hz
4. **AF Harmonic Distortion**
10 %

RECEIVER

1. **Receiving System**
Double-conversion superheterodyne
IF: 21.4 MHz and 455 kHz
2. **AF Output Power**
0.2 W (@8Ω, 10 % distortion)
3. **AF Response**
6 dB/octave de-emphasis +1, -3 dB for 300 to 3000 Hz
4. **Sensitivity**
2 μV or less at 20 dB NQ
5. **Adjacent Channel Selectivity**
70 dB
6. **Spurious Response Rejection**
80 dB
7. **Intermodulation**
65 dBμ

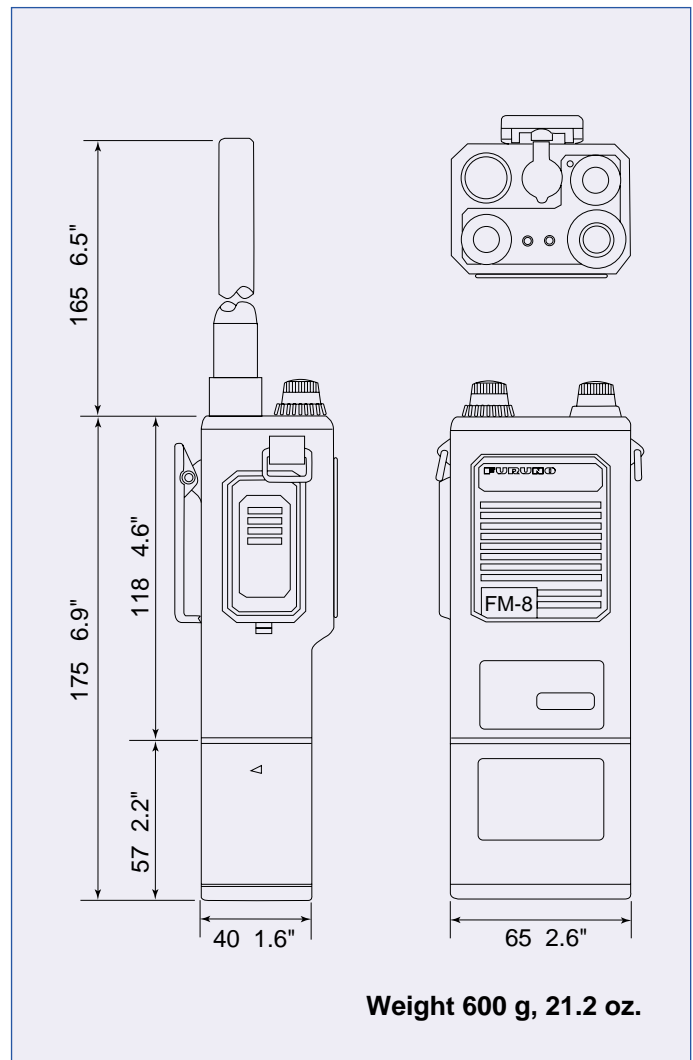
EQUIPMENT LIST

(STANDARD)

- | | |
|---|--------|
| 1. Transceiver Unit with fixed Antenna | 1 unit |
| 2. 7.2 VDC/ 1200 mAH Ni-Cd battery pack BP-1207 | 1 unit |
| 3. Shoulder Belt FB-8 | 1 pc. |

(OPTIONAL)

1. Tabletop Quick Battery Charger BC-501 for one battery pack or BC-503 for three battery packs (specify 110 or 220 VAC)
2. Earphone FE-8
3. External Speaker/Microphone FHM-8
4. Spare Battery Pack BP-1207



SPECIFICATIONS SUBJECT TO CHANGE WITHOUT NOTICE

FURUNO U.S.A., INC.

Camas, Washington, U.S.A.
Phone: +1 360-834-9300 Telefax: +1 360-834-9400

FURUNO (UK) LIMITED

Denmead, Hampshire, U.K.
Phone: +44 2392-230303 Telefax: +44 2392-230101

FURUNO FRANCE S.A.

Bordeaux-Mérignac, France
Phone: +33 5 56 13 48 00 Telefax: +33 5 56 13 48 01

FURUNO ESPANA S.A.

Madrid, Spain
Phone: +34 91-725-90-88 Telefax: +34 91-725-98-97

FURUNO DANMARK AS

Hvidovre, Denmark
Phone: +45 36 77 45 00 Telefax: +45 36 77 45 01

FURUNO NORGE A/S

Ålesund, Norway
Phone: +47 70 102950 Telefax: +47 70 127021

FURUNO SVERIGE AB

Västra Frölunda, Sweden
Phone: +46 31-7098940 Telefax: +46 31-497093

FURUNO SUOMI OY

Helsinki, Finland
Phone: +358 9 341 7570 Telefax: +358 9 3417 5716

01011B Printed in Japan

